

Beverage Pallet 955

PG955



- Optimized for the beverage industry
- Integral anti-slip stacking mechanism
- Designed for heavy loads
- Low self-weight
- Particularly broad middle leg
- Environmentally friendly - 100% recyclable
- Easy washing and cleaning

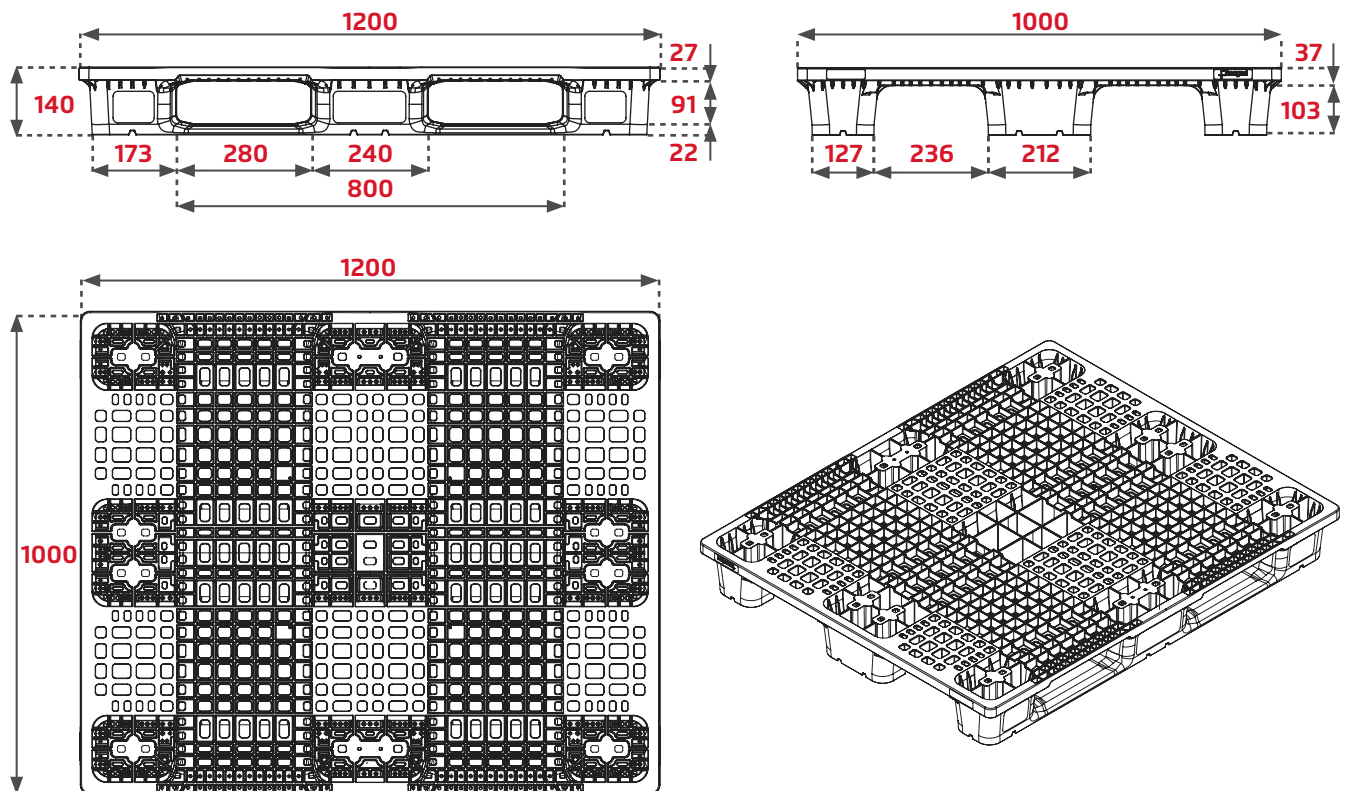


Specifications

DIMENSIONS		
Dimensions (L / W / H)	1200 / 1000 / 140 mm	47.24 / 39.37 / 5.51 in
LOGISTICS		
Weight	17.15 kg	37.80 LB
Maximum load Dynamic	1500 kg	3306 LB
Maximum load Static	5000 kg	11023 LB
Shelving	1000 kg	2204 LB
Pallets per stack	20	
Units per 20 / 40 / 40 HC	170 / 357 / 399	
MATERIAL		
Material	PP (virgin)	
Color	Red	

* Load capacities are based on evenly distributed loads and can vary according to the type of load.

Technical Drawing (mm)



Plasgad Plastic Products ACS Ltd.

Kibbutz Gadot, Upper Galilee 1232500, Israel | Tel. +972-4-6935485 | Fax. +972-4-6935471 | www.plasgad.com